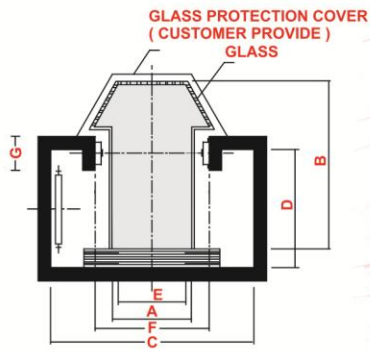
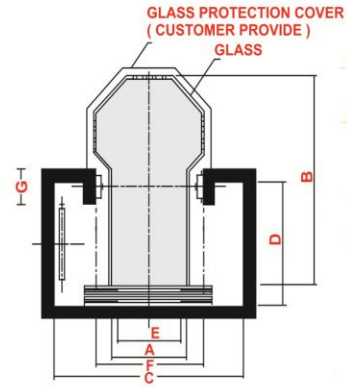
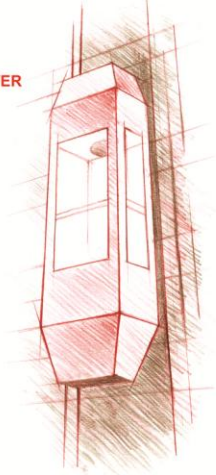


# OUTLINE DIMENSIONS

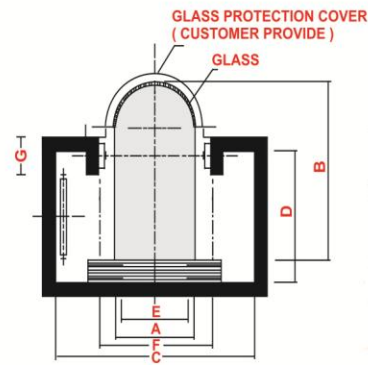
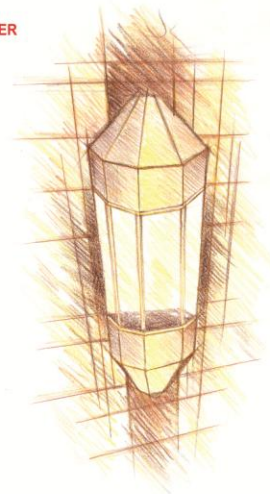
## Observation Elevator



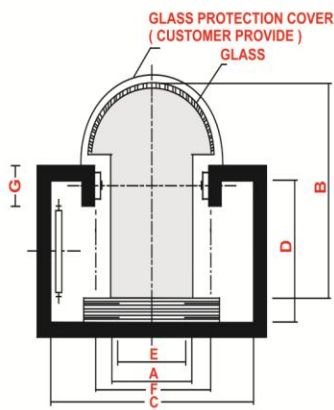
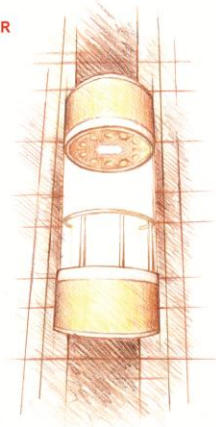
KE707-OBS



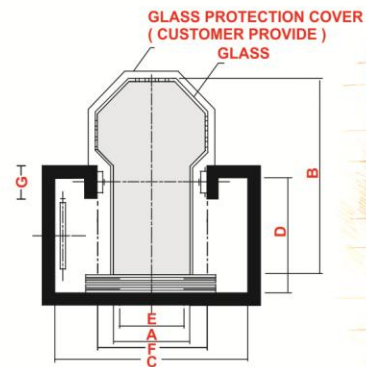
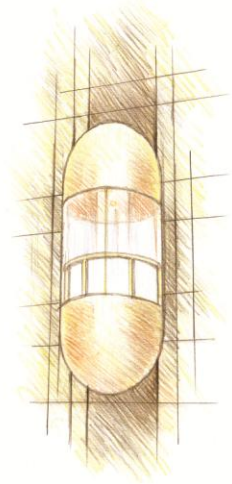
KE708-OBS



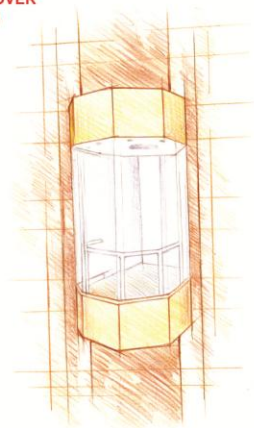
KE709-OBS



KE710-OBS



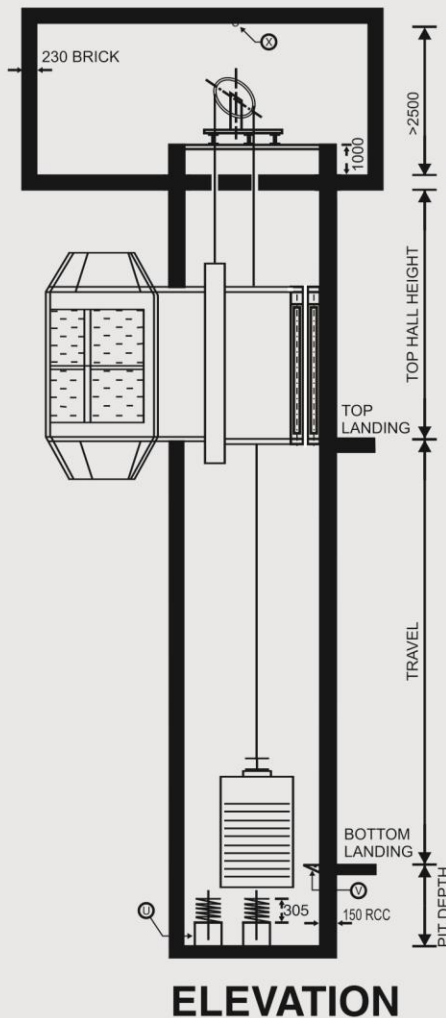
KE711-OBS



PLAN

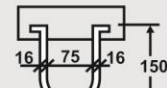
# OUTLINE DIMENSIONS

## Observation Elevator



**ELEVATION**

### LOAD HOOK DETAILS - X



QUANTITY = 1 NOS.

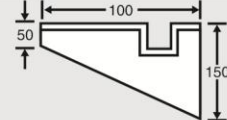
PROVIDED BY CLIENT

### BUFFER FOUNDATION DETAILS - U

300 X 300 X 600 mm. HEIGHT  
RCC BLOCK  
FOR CAR AND COUNTER  
BUFFER SPRING

PROVIDED BY CLIENT

### RCC SECTION DETAILS - V



IF RCC IS NOT THERE, THEN  
100 X 50 CHANNEL SHOULD BE  
PROVIDED FOR FIXING THE BOTTOM SEAL.  
PROVIDED BY CLIENT

LOAD		CAR INSIDE			LIFT WELL			ENTRANCE
PERSONS	KGS.	A	B	C	D	F	G	E
8	544	850	1950	2350	1200	1300	400	800
10	680	950	2050	2650	1250	1400	400	900
13	884	1050	2200	2650	1300	1500	400	900
16	1068	1100	2450	2750	1350	1550	400	1000
20	1360	1250	2550	2750	1400	1700	400	1000

#### NOTATIONS :

1. ALL DIMENSIONS ARE IN MILLIMETERS.
2. THE TOTAL HEADROOM HAS BEEN CALCULATED ON THE BASIS OF CAR HEIGHT OF 2.3 METERS.
3. IN CASE OF MANUALLY-OPERATED DOORS, CLEAR ENTRANCE WILL BE REDUCED BY THE AMOUNT OF PROJECTION OF HANDLE ON THE LANDING DOOR.
4. FOR NON STANDARD LIFT WELL, PLEASE CONSULT KINETIC ELEVATORS LTD..
5. ALL INFORMATION ARE FOR REFERENCE AND INITIAL PLANNING ONLY. THE PHOTOGRAPHS AND DRAWINGS ARE GENERAL ILLUSTRATION OF OUR PRODUCTS. SPECIFIC CONSTRUCTION DETAILS, PLEASE CONTACT KINETIC'S LOCAL SALES OFFICE. KINETIC RESERVE THE RIGHT TO ALTER SOME OF THE SPECIFICATION AND DESCRIPTION GIVEN HERE IN WITHOUT PRIOR NOTICE.